

GHO500 Base

Features

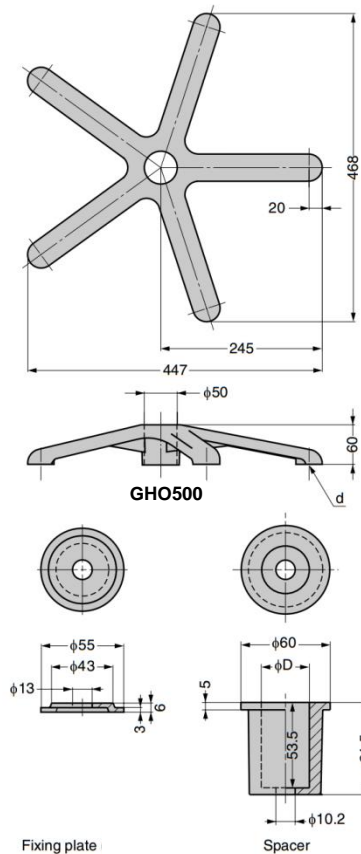
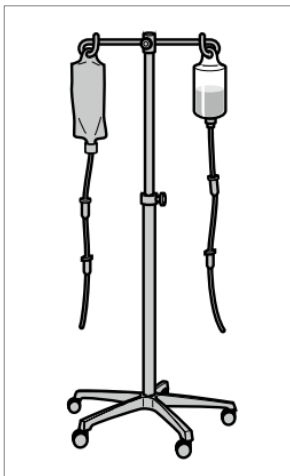
- Light and tough aluminium body
- For $\varnothing 50.8$ pipe
- Can be used for $\varnothing 25$, $\varnothing 32$, $\varnothing 38$ pipe with spacer (sold separately)
- Suitable for medical equipment, etc.

Notes

- Do not use for chairs with backrest.
- When using a spacer, fix it with fixing plate and screw from the bottom of the body (screw not included)

Sold Separately

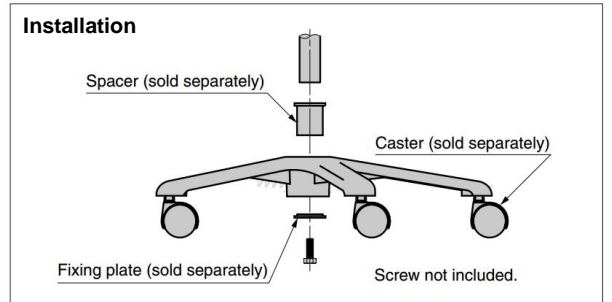
- Spacer **GHOS**
- Fixing plate **GHOS-Z**
- Caster



Spacer (Sold Separately)



Caster (Sold Separately)



Body

Part No.	Material	Finish	D
GHO500N3	Aluminium Alloy	Polished	W3/8
GHO500M10			M10

Spacer (Sold Separately)

Part No.	Material	Finish	D
GHOS-25	PA	Black	25
GHOS-32			32
GHOS-38			38

Fixing Plate (Sold Separately)

Part No.	Material	Finish
GHOS-Z	Stainless Steel 304	Barrel Polished